

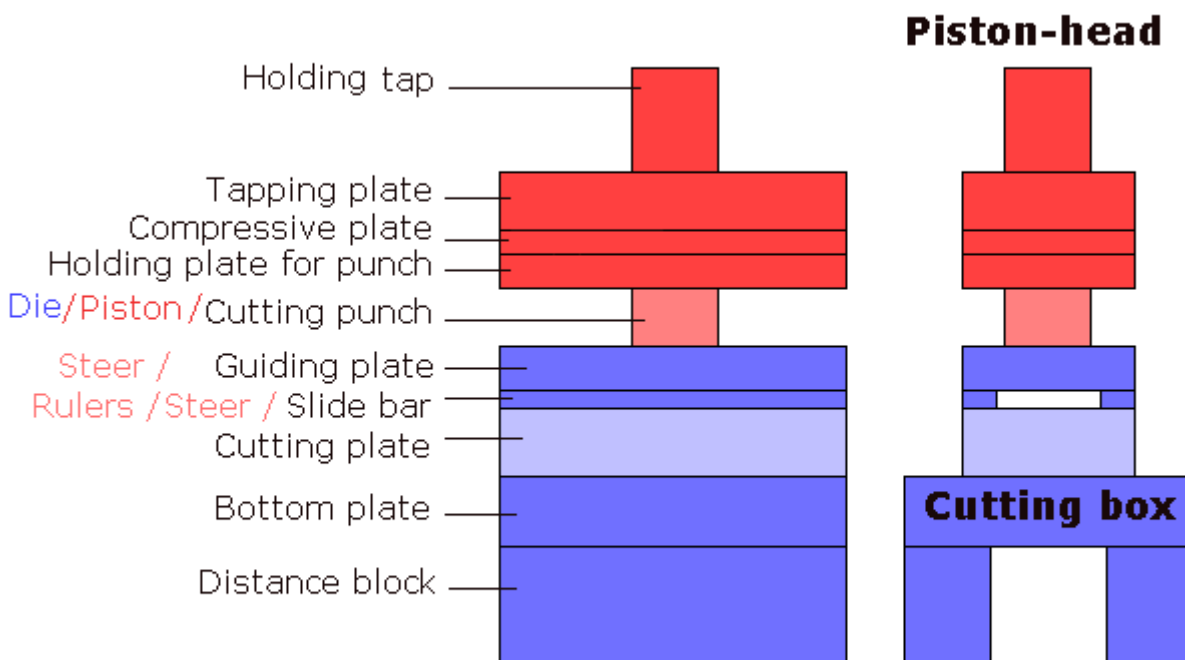
Om denne ordbog

Denne ordbog er på ingen måde fyldestgørende, men et udtryk for hvilke ord som har været benyttet indtil nu. Man vil sagtens kunne finde andre ord som måske vil være mere korrekte at bruge.

Ordbogen er ment som en hjælp eller et supplement for de studerende på Skive Tekniske Skole inden for værktøjsmagerfaget.

Dette kan du finde i ordbogen *Longman Dictionary of Contemporary* eller "*Clausens*" *Teknisk Engelsk ordbog* eller *Munksgaard Engelsk Dansk ordbog*

Punchung Tool



Bottom Plate

Bottomplate = Grundplade, bundplade

Compressive verb

Compressive force = Trykkraft *Mater* trykbelastning, trykpåvirkning

Compressive resistance = *Mater* trykstyrke

Compressive resistant = *Mater* tryksej

Cutting Plate

Cutting = gennemskæring, skæring, snit, skæreevne, stødvinkel

Distance block

Distanceblock = Afstandsklods

Guide¹ verb

To help someone or something to move in a particular direction

Holding¹ *Tap*

keep something in position [transitive] to make something stay in a particular position

Piston

a part of an engine consisting of a short solid piece of metal inside a tube, which moves up and down to make the other parts of the engine move

Piston = stempel

punch¹ *verb*

make holes To make a hole in something, using a metal tool or other sharp object:

The guard punched my ticket and I got on.

These bullets can punch a hole through 20 mm steel plate.

push buttons to push a button or key on a machine:

Just punch the button to select a track.

punch² *noun*

A metal tool for cutting holes or for pushing something into a small hole

Punching tool = Stanseværktøj

Punching Die = stansestempel

Punching Machine = Stansemaskine

Punching Press = Stansepresse

Punching Perforering = udstansning

Plate *verb*

plate = plade

Plate chuck = opspændingsplade

Rulers² *noun*

a long flat straight piece of plastic, metal, or wood that you use for measuring things or drawing straight lines:

Steer¹ *verb*

To control the direction a vehicle is going, for example by turning a wheel:

Steer Lede, føre, styre

Slide¹ *verb*

past tense and past participle slid /slûd/

To move smoothly over a surface while continuing to touch it, or to make something move in this way

slide along/across/down etc

Francesca slid across the ice.

slide something across/along etc

He opened the oven door and slid the pan of cookies in.

Slide² *verb*

[intransitive,transitive always + adverb/preposition] to move somewhere quietly and smoothly, or to move something in this way slide into/out of etc

Daniel slid out of the room when no one was looking.

She slid into the driver's seat.

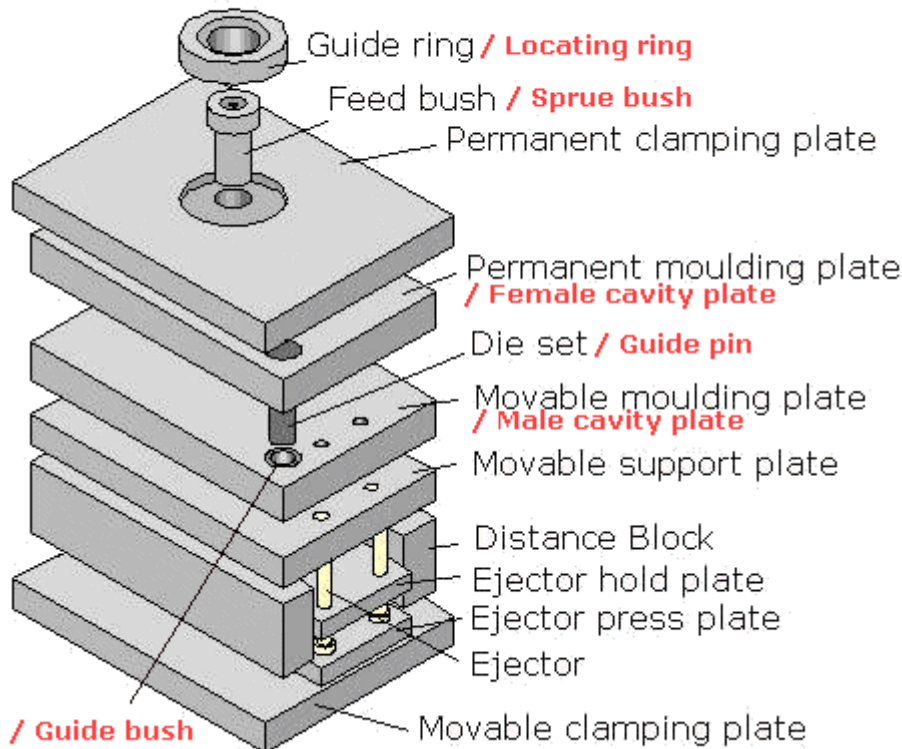
slide something into/out of etc something

Teknisk Engelsk

Slide bar = *Maskskinne, glider, glideflade, [Mask] vange*

Moulding tool

Formhulrum = cavity
Fordelerkanal = Runner



Bush¹ noun

Bush = Bøsning

Bush²

Bush = Indsætte bøsning

Clamping

To put or hold something in a position so that it cannot move:

Distance Block

distance block = afstandsstykker, afstandsklodser

Ejector

ejector = udkaster i værktøj

ejector = udstøder i presse

Guide ring

To help someone or something to move in a particular direction

Guide pin

Guide pin = styretap, styrestift

Die set

Die set = Søjlestyr

Teknisk Engelsk

Feed *noun*

A tube or piece of equipment which supplies a machine with something, especially fuel

Locating¹ *ring*

To find the exact position of something:

We couldn't locate the source of the radio signal.

Locating² *ring*

Be located in/near etc something to be in a particular position or place [= be situated]:

The business is located right in the center of town.

Locating³ *ring*

To put or build something in a particular place:

Large retail chains are usually only prepared to locate stores in areas of high population density.

Moulding¹ *noun*

a hollow container that you pour a liquid or soft substance into, so that when it becomes solid, it takes the shape of the container:

Moulding² *Verb*

to shape a soft substance by pressing or rolling it or by putting it into a mould

Moveable

Moveable = Bevægelig, flytbar

Permanent

permanent = Varig, fast, blivende

Sprue¹

MET. Indløb, støbekanal

Sprue²

PLAST sprøjtetap, støbetap

Spruebush³

PLAST indløbsbøsning (for sprøjtekanal)

Support *plate*

to hold the weight of something, keep it in place, or prevent it from falling:

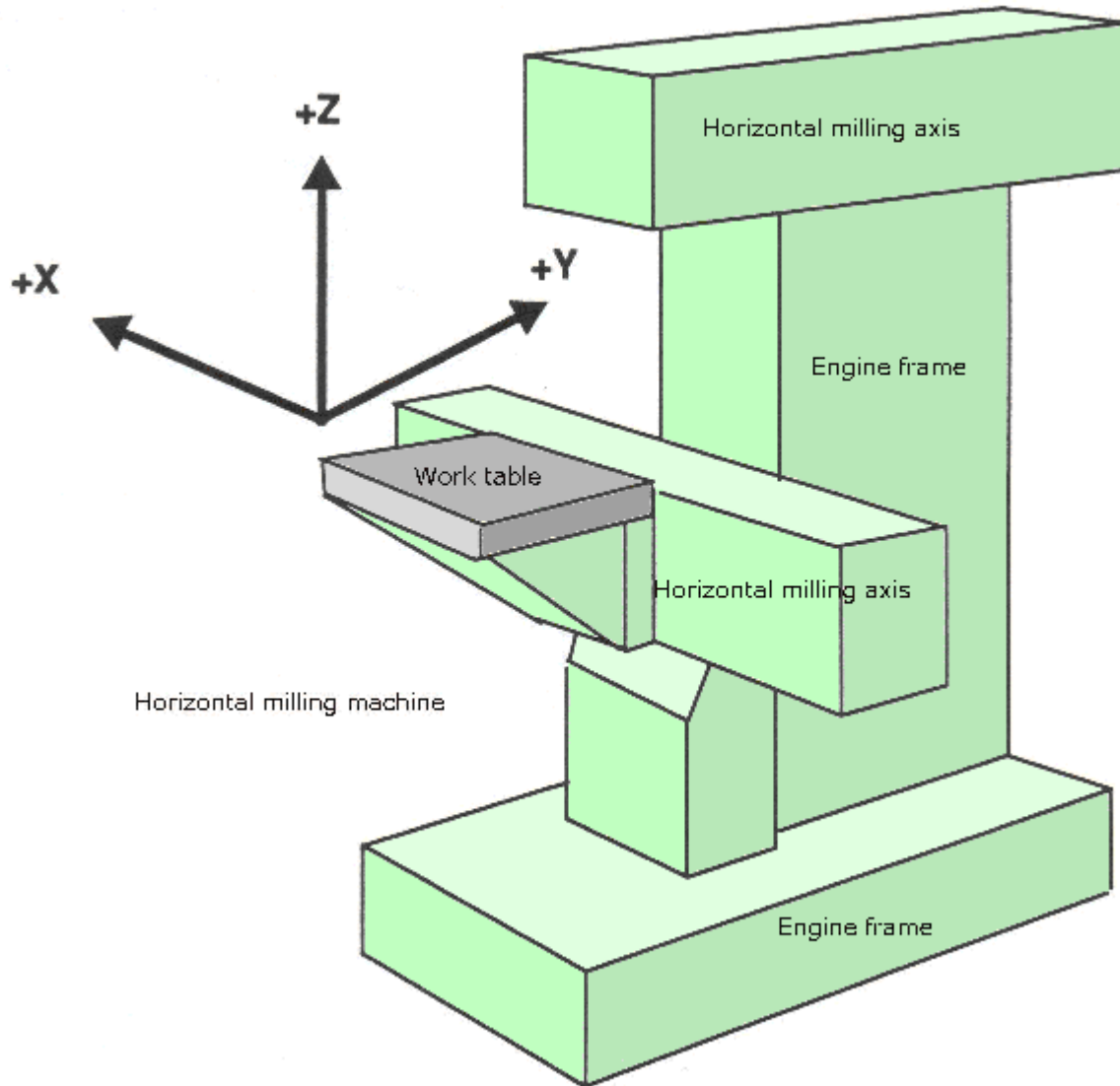
The middle part of the bridge is supported by two huge towers.

During sleep, our spine no longer needs to support the weight of our body.

Support plate³

support plate = støtteplade

Milling Machine



EDM

EDM - **E**lectrical **D**ischarge **M**achining is a machining process used mainly for producing dies, molds and certain metal parts.

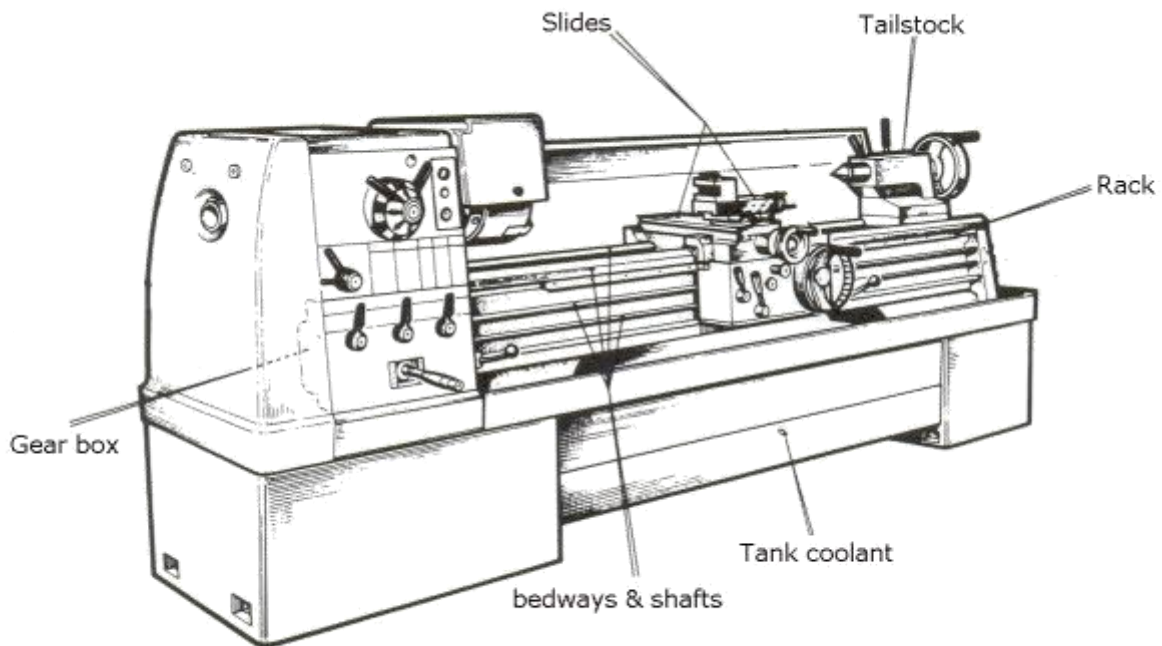
EDM can also be used to produce finished parts, such as cutting tools, parts cut from solids, and items of complex shape.



Grinding

Afsnittet er under udarbejdelse.

Turning



Bedways & Shafts

Bedways = Vanger

Shafts = spindler

Coolant

a liquid or gas used to cool something, especially an engine

Coolant = kølemiddel

Lathe *noun*

A machine that shapes wood or metal, by turning it around and around against a sharp tool

Lathe = drejebænk

Rack

Rack = tandstang

Tailstock

Tailstock = Pinoldok

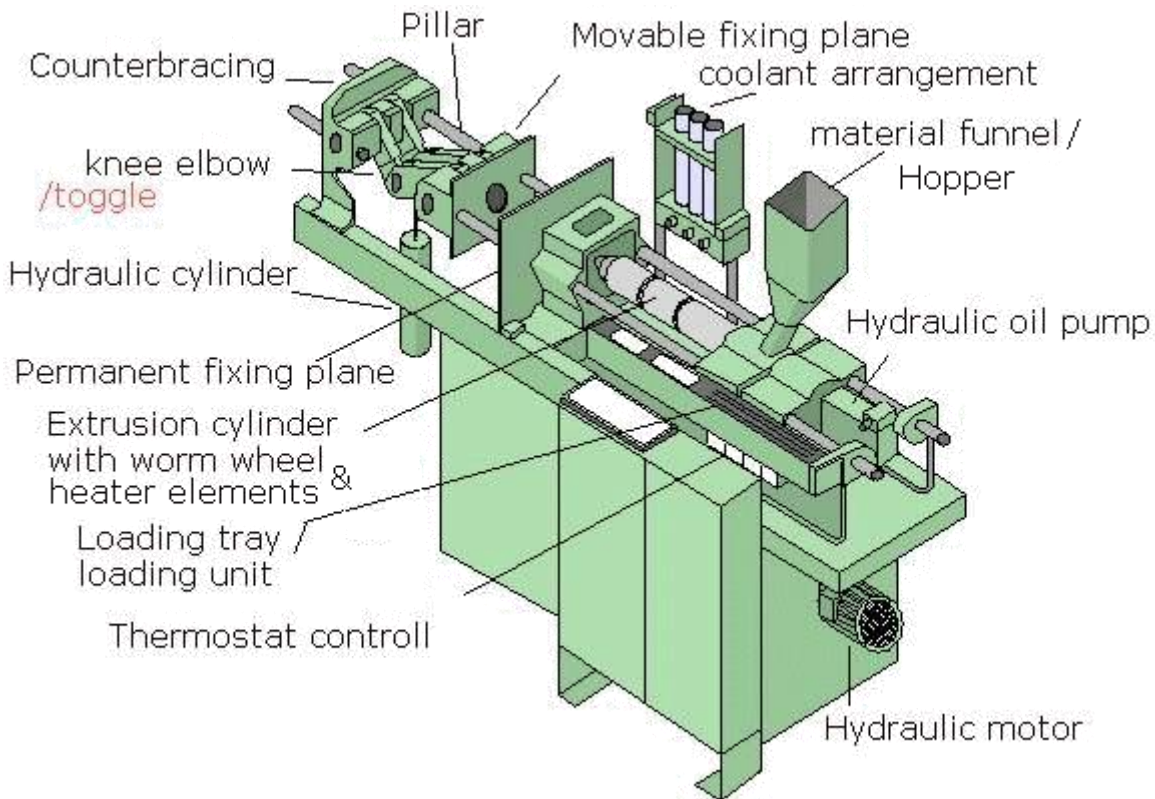
Slides

Slides = vanger

Turning

turning = drejning

Moulding Machine



Controll *Verb*

To make someone or something do what you want, or make something happen in the way that you want:

Counterbrace

To brace in such a way that opposite strains are resisted; to apply counter braces to.
counterbracing = Travers = Maskinafstivning

Extrusion¹

Extrusion Cylinder = PLAST Udpresning, ekstrudering, sprøjteformning

Extrusion²

Formal to push or force something out through a hole

Extrusion³

To force plastic or metal through a hole so that it has a particular shape

Funnel¹

A vessel of the shape of an inverted hollow cone, terminating below in a pipe, and used for conveying liquids or pourable solids into a vessel with a narrow opening; a tunnel.

Funnel²

A passage or avenue for a fluid or flowing substance; specifically, a smoke flue or pipe; the iron chimney of a steamship or the like. Funnel box

Funnel³

Funnel = Materiale tragt

Heater elements

heater elements = varmelegeme

Hopper

hopper = tragtformet beholder, tragt

Knee

knee = MASK knæled

Loading tray

Loading tray = PLAST doseringsbakke, fyldebakke

moveable fixing plane

moveable fixing plane = Bevægelig opspændings plan

Pillar

Pillar = Søjle

Screw

Screw = snekke, skrue

Thermostat *noun*

An instrument used for keeping a room or a machine at a particular temperature

Toggle¹

Two rods or plates connected by a toggle joint.

toggle²

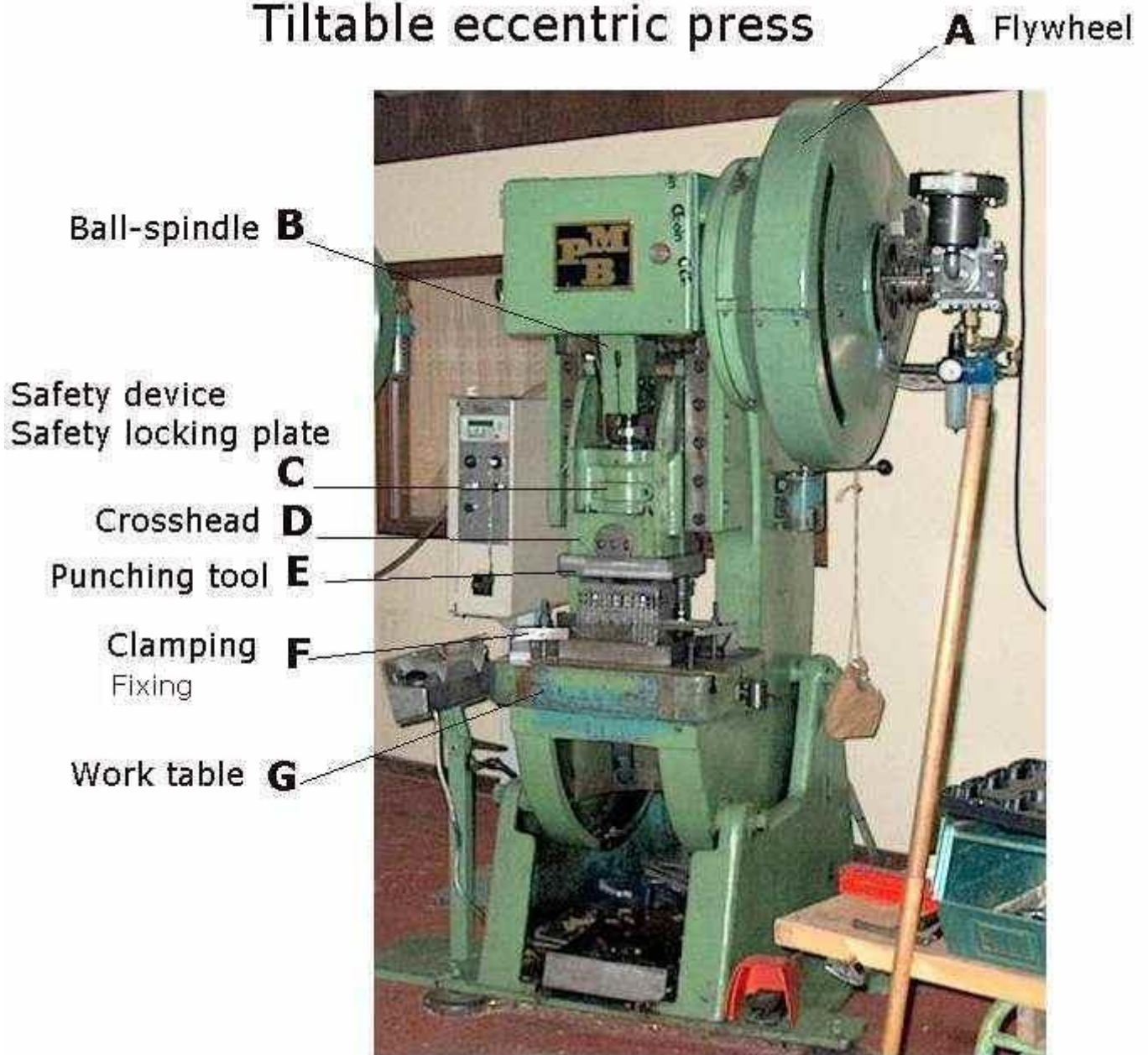
toggle = Knæled

Worm wheel

worm wheel = MASK. Snekkehjul, snekkedrev

punching Machine

Tilttable eccentric press



Ball-spindle

Ball-spindle = kuglespindel

Clamping¹

to put or hold something in a position so that it cannot move:

Clamping²

Clamping = Montering på en værktøjsmaskine

eccentric¹

eccentric = MASK excentrisk

Teknisk Engelsk

eccentric²

eccentric circles do not have the same centre point [concentric]

Fixing¹

Fixture = Værkt Opspænding, montering

Fixing²

things that are used to hold other things together, for example screws

Flywheel¹

Flywheel = Svinghjul

Flywheel²

a heavy wheel that keeps a machine working at a steady speed

Machine plane

Machine plane = Maskin plan

Press¹

a piece of equipment used to put weight on something in order to make it flat or to force liquid out of it:

Press²

Press = MASK presse

Safety locking plate¹

Safety locking plate = Beskyttelsesplade

Tiltable

Tiltable = Kipbar, vipbar

Tilted

Tilted = skråstillet, skrå

work table

work table = Arbejdsbord